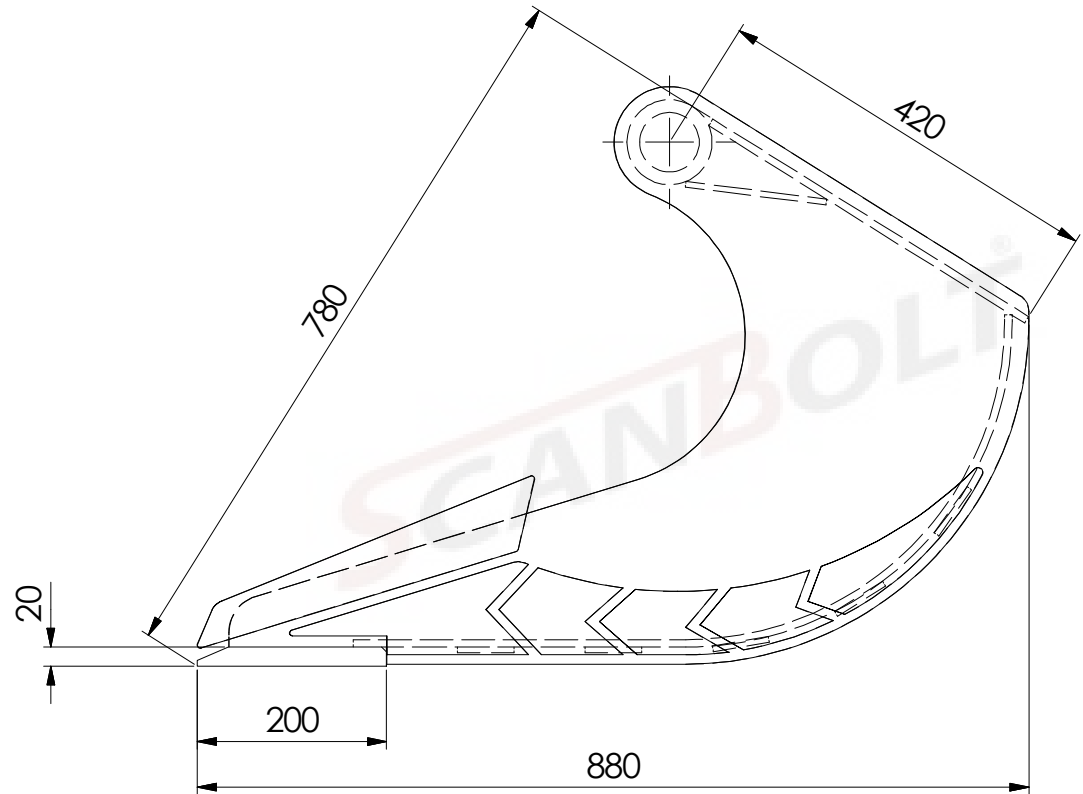
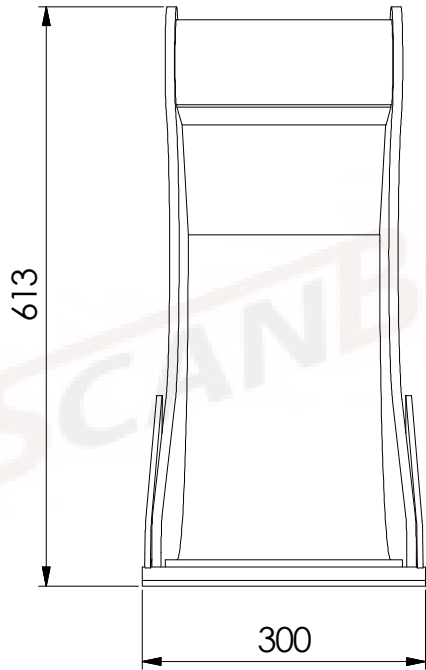
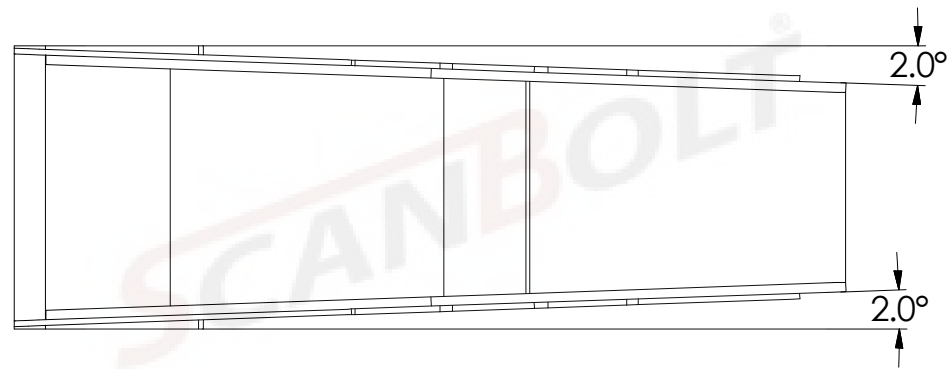
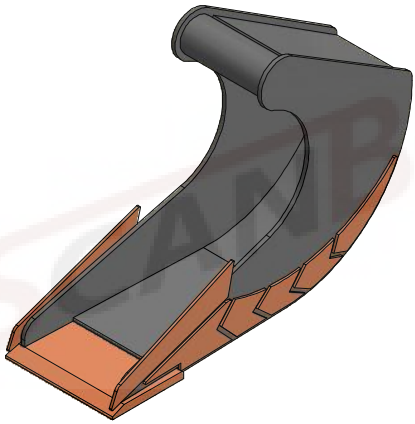


8 7 6 5 4 3 2 1



MATERIAL SPECIFICATION

ST52.3
EN8D
HB 400
HB 450
CASTALLOY STEEL



DESCRIPTION	30 CM CLAY BUCKET
MACHINE CLASS	5.0 - 7.5 TON
WEIGHT	78 Kg
HEAPED CAPACITY	74.1 LITERS

8 7 6 5 4 3 2 1